

# RY2000

## Extreme Code Cutting Punch Machine with Dual Capabilities

**Rytan**  
INCORPORATED



**RY2000Case**

Equip your machine with  
Schlage on the right and a  
keyway of your choice on the  
left. Quickly swap out simple  
parts to jump between keyways!

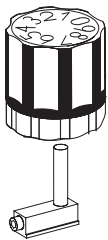


**RY2075TSS**  
Top Shoulder  
stop assembly



**RY2015TS**  
Tip Stop

**RY50\_DS**  
Depth Selector  
assembly



**RY2056**  
DUAL Punch  
Stop



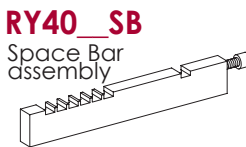
**RY2092**  
Punch & Die  
Retaining Screw



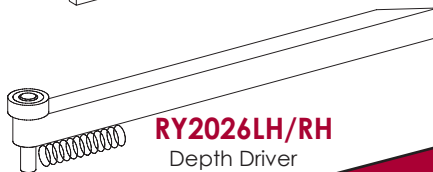
**RY60\_PD**  
Punch & Die  
assembly



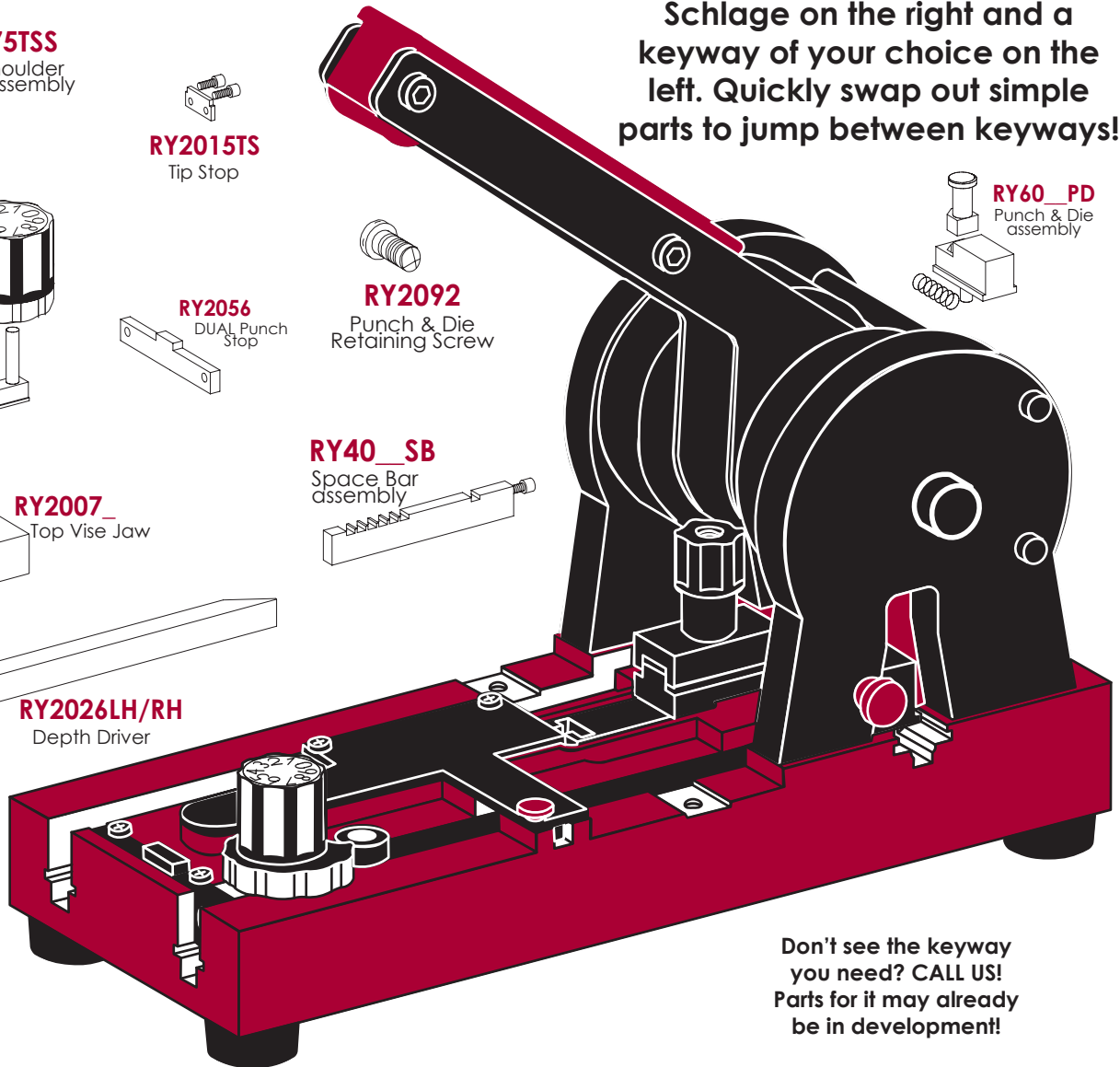
**RY2007\_**  
Top Vise Jaw



**RY40\_SB**  
Space Bar  
assembly



**RY2026LH/RH**  
Depth Driver



Don't see the keyway  
you need? CALL US!  
Parts for it may already  
be in development!

### DUAL MACHINES YOU CAN BUILD WITH OUR VARIETY OF QUICK-KITS

Schlage/Kwikset  
Schlage/Schlage Reverse  
Schlage/Arrow  
Schlage/Arrow Flexcore  
Schlage/Dexter  
Schlage/Weiser  
Schlage/Master M-1

Schlage/Weslock  
Schlage/I-Core A2  
Schlage/I-Core A3  
Schlage/I-Core A4  
Schlage Reverse/Corbin CO70  
Schlage/Keymark  
Schlage/Medeco MX4\_